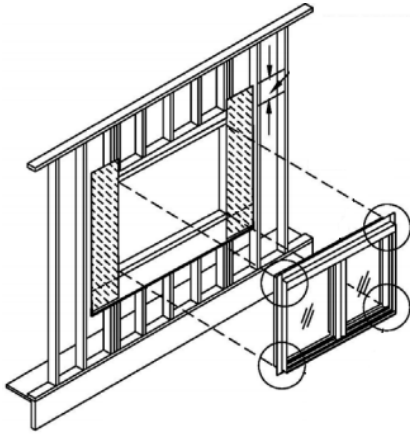
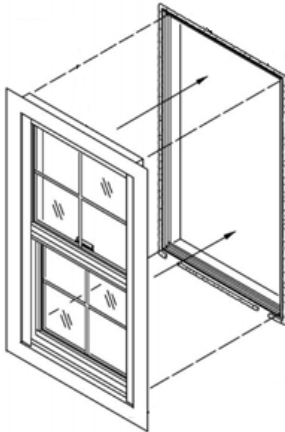


New Construction vs Retro-Fit Windows

New Construction Windows (aka nail-on windows):
Windows are installed in the rough opening framing.



Retro-Fit Windows (aka flush fin or z-bar windows):
Windows are installed in the existing aluminum frame from the previous window.



Replacement Windows (aka block frame or h-bar windows):
Windows are installed within the existing wood frame from the previous window.

